

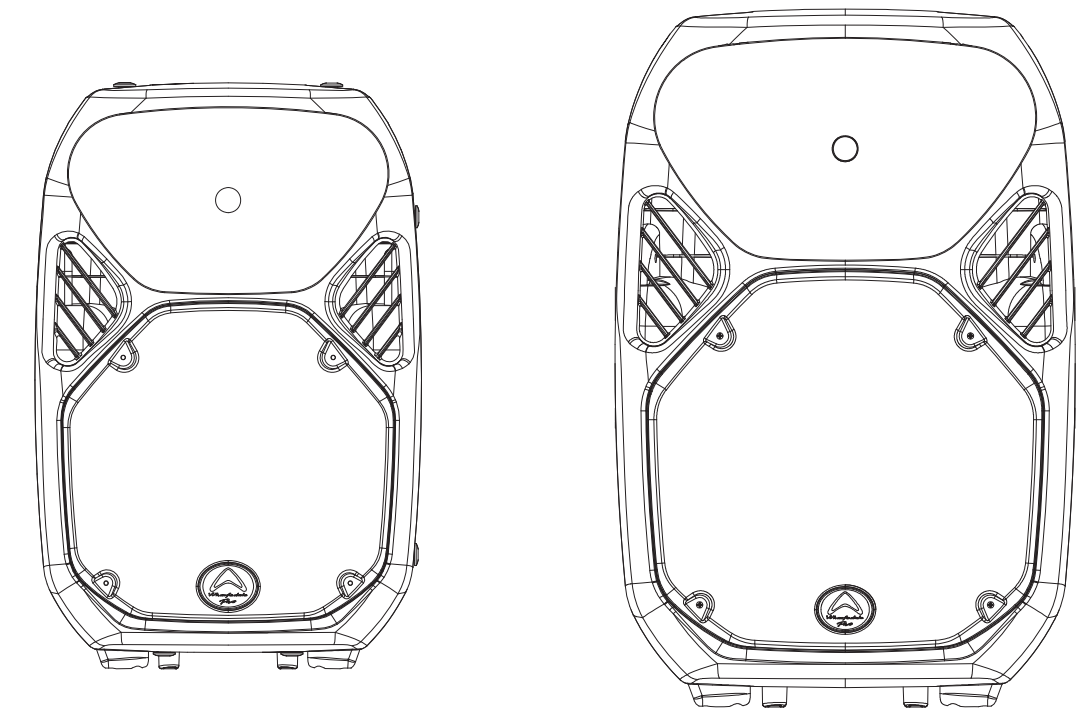
# SPECIFICATIONS

Model Name	TITAN-12Z	TITAN-15Z
System Type	Passive	Passive
Configuration	two-way	two-way
Frequency Response (+/-3dB)	55Hz - 20kHz	45Hz - 20kHz
Frequency Range (- 10 dB)	50Hz - 20kHz	40Hz - 20kHz
Sensitivity 2.83v/1m	99dB	99dB
Calculated Maximum SPL @1m	132dB	133.5dB
System Rated Impedance	8Ω	8Ω
<b>Low Frequency Transducer</b>		
Size (mm / inches)	305mm / 12"	381mm / 15"
Voice-Coil Size (mm / inches)	75mm / 3.0"	100mm / 4.0"
Rated Impedance	8Ω	8Ω
LF Power re: AES2-2012	500W	700W
<b>High Frequency Transducer</b>		
HF Driver Type	Compression Driver	Compression Driver
Coil Size (mm / inches)	44mm / 1.75"	50mm / 2.0"
Exit Size (mm / inches)	25mm / 1"	25mm / 1"
Diaphragm Material	Titanium	Titanium
Rated Impedance	8Ω	8Ω
HF Power re: AES2-2012	40W	50W
Nominal Coverage (H x V)	Hybrid Symmetry Horn, 100°x80°	Hybrid Symmetry Horn, 100°x80°
<b>Power</b>		
System Continuous Power (w)	500W	700W
System Programme Power (w)	1000W	1400W
System Peak Power (w)	2000W	2800W
Crossover frequency	2.1kHz	2.1kHz
Input Connector	2 x Speakon compatible	2 x Speakon compatible
<b>Hardware</b>		
Rigging / Bracket / Mounting Options	10 M8 threaded inserts including 4 M8 threaded inserts on bottom in OmniMount 60.0-type footprint Pole-mount receptacle with lock screw Optional wall-mount bracket	10 M8 threaded inserts including 4 M8 threaded inserts on bottom in OmniMount 60.0-type footprint Pole-mount receptacle with lock screw Optional wall-mount bracket
Handles	2 carry handles (one on each side)	2 carry handles (one on each side)
<b>Enclosure</b>		
Enclosure Material and finish	Injection Moulded Polypropylene	Injection Moulded Polypropylene
Colour Options	Black/White paint	Black/White paint
Grille Material & Finish	Steel	Steel
<b>Dimensions - Unpacked (mm / inches):</b>		
Height	582.7mm / 22.9"	728.5mm / 28.7"
Width Front	384.6mm / 15.1"	480.6mm / 18.9"
Width Rear	384.6mm / 15.1"	480.6mm / 18.9"
Depth	318.6mm / 12.5"	395.6mm / 15.6"
<b>Dimensions - Packed (mm / inches):</b>		
Height	663mm / 26.1"	830mm / 32.7"
Width Front	435mm / 17.1"	514mm / 20.2"
Width Rear	435mm / 17.1"	514mm / 20.2"
Depth	408mm / 16.1"	489mm / 19.3"
Net Weight (kg / lbs)	15.7kg / 34.5lbs	25.8kg / 56.8lbs
Gross Weight (kg / lbs)	18.8kg / 41.2lbs	30.6kg / 67.3lbs

# TITAN-Z SERIES

TITAN-12Z

TITAN-15Z



## WHARFEDALE PRO LIMITED WARRANTY

Wharfedale Pro products are warranted of manufacturing or material defects for a period of one year from the original date of purchase. In the event of malfunction, contact your authorised Wharfedale Pro dealer or distributor for information.

Please be aware that the warranty details may differ from country to country. Contact your dealer or distributor for information (available at [www.wharfedalepro.com](http://www.wharfedalepro.com)). These terms do not infringe your statutory rights.



Wharfedale Professional

IAG House 13/14 Glebe Road Huntingdon Cambridgeshire PE29 7DL UK

[www.wharfedalepro.com](http://www.wharfedalepro.com)

Wharfedale Professional reserves the right to alter or improve specifications without notice.

All rights reserved © 2015 Wharfedale Pro. Wharfedale Pro is a member of the IAG Group.



[WWW.WHARFEDALEPRO.COM](http://WWW.WHARFEDALEPRO.COM)

## WARNING AND SAFETY INSTRUCTIONS

### 1. READ ALL INSTRUCTIONS

Carefully and become familiar with the features and functions of these products before operating them.

### 2. RETAIN THESE INSTRUCTIONS

For future reference.

### 3. COMPLY WITH ALL WARNINGS

All warnings and instructions for this product should be adhered to.

### 4. USE WITH AMPLIFIERS

In order to avoid damage to drivers and other equipment, it is advisable to establish and follow a routine for powering up and powering down a sound system. With all system components connected, turn on source equipment (mixers, signal processors, record and playback units, etc.) BEFORE powering up amplifiers. Transient voltages from powering up source equipment can damage speakers if amplifiers are already turned on. Make sure that amplifier volumes are set to their minimum settings and power up any system amplifiers LAST. It is recommended that all system components be allowed to stabilize for several seconds before powering down any other system components.

### 5. CABLES

Do not use shielded or microphone cables for connection between amplifiers and speakers. Use only approved speaker cables with proper connectors.

### 6. RIGGING – SUSPENDING – MOUNTING

Rigging, suspending and mounting of these speaker systems can expose members of the public to serious health risks and even death. Under no circumstances attempt to rig, suspend or otherwise mount these speakers unless you are fully qualified and certified to do so by relevant local, state and national authorities. All relevant safety regulations must be followed. If you are not properly qualified or do not know of pertinent regulations, consult qualified personnel for advice.

### 7. CAUTION

These professional loudspeaker systems are capable of generating very high sound pressure levels. Use care with placement and operation to avoid exposure to excessive volume levels. Permanent hearing damage can result when operated to extreme levels.

### 8. SERVICE

There are no user serviceable parts inside the product. Users should not attempt to service this product. Warranty nullification could result if this is attempted.

## INTRODUCTION

The Titan Z series of passive loudspeakers deliver extreme power handling capability from a practical, hard wearing polypropylene cabinet. Equally at home on stage or in a fixed installation, Titan Z is practical, versatile and, most importantly, powerful.

Custom made Wharfedale Pro transducers are the critical components. The LF driver features massive voice coils for improved heat dissipation and power handling while the Increased Radius, Increased Sensitivity IRIS X compression driver delivers huge SPL's. The hybrid symmetry horn delivers a smooth 100° x 80° coverage.

The LF drivers have excellent moisture rejection characteristics which allows a Titan Z to be installed into hostile and damp environments.

## KEY FEATURES

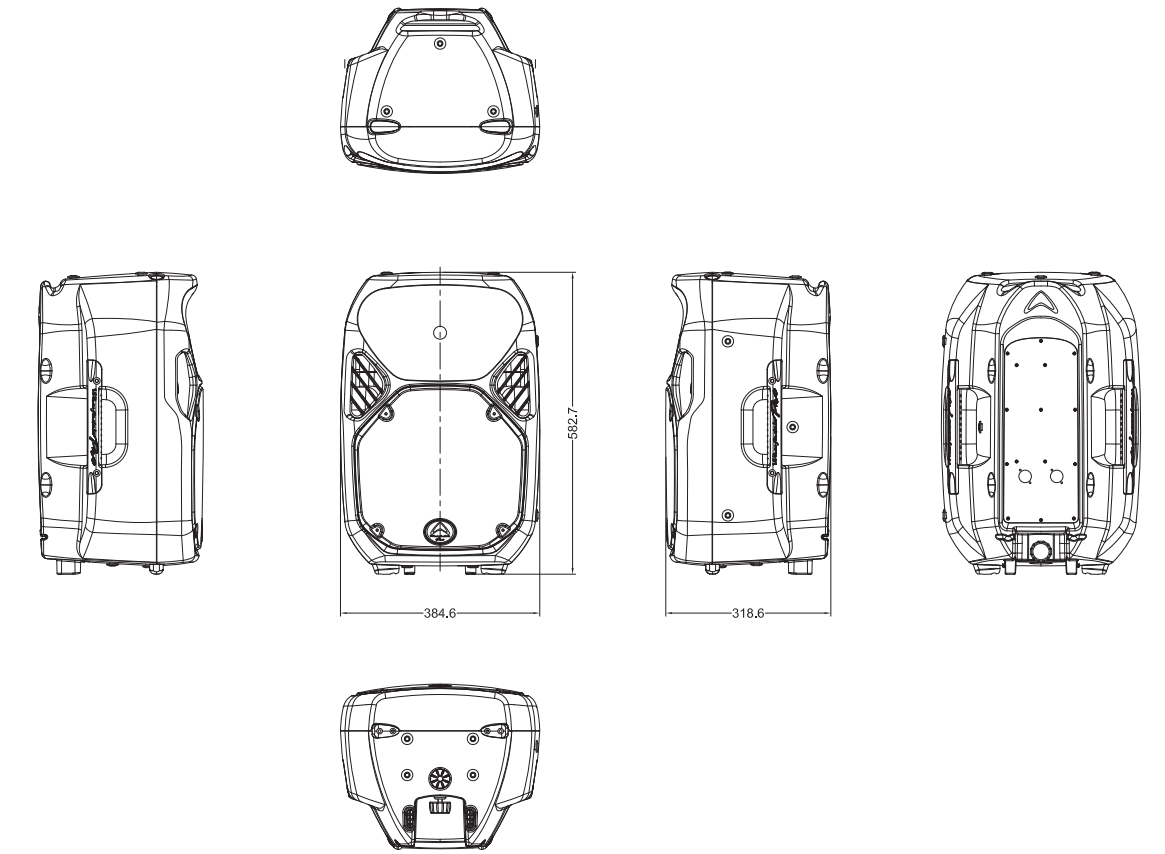
- Breath-taking SPL specifications
- Extended-range, super sensitive Titanium dome HF drivers
- New 2" voice coil HF compression driver (15Z)
- Massive LF voice coils for improved heat dissipation and power handling
- Moisture rejecting LF drivers
- Integral pole mount and multiple rigging points for use on stage or in fixed installation
- Compatible with all current TITAN mounting accessories

## INSTALLATION

Titan-Z Series speakers are both equally suitable for portable use and for rigging / fixed installation. Before attempting to install a Titan-Z loudspeaker system please refer to the important warnings and safety instructions. Only qualified personnel should install a loudspeaker system.

Improper installation of a loudspeaker system can cause serious harm and even death if correct procedure is not followed. Anyone attempting installation assumes all liability arising from such use.

## TITAN-12Z TECHNICAL DRAWING



## TITAN-15Z TECHNICAL DRAWING

